

UPTA

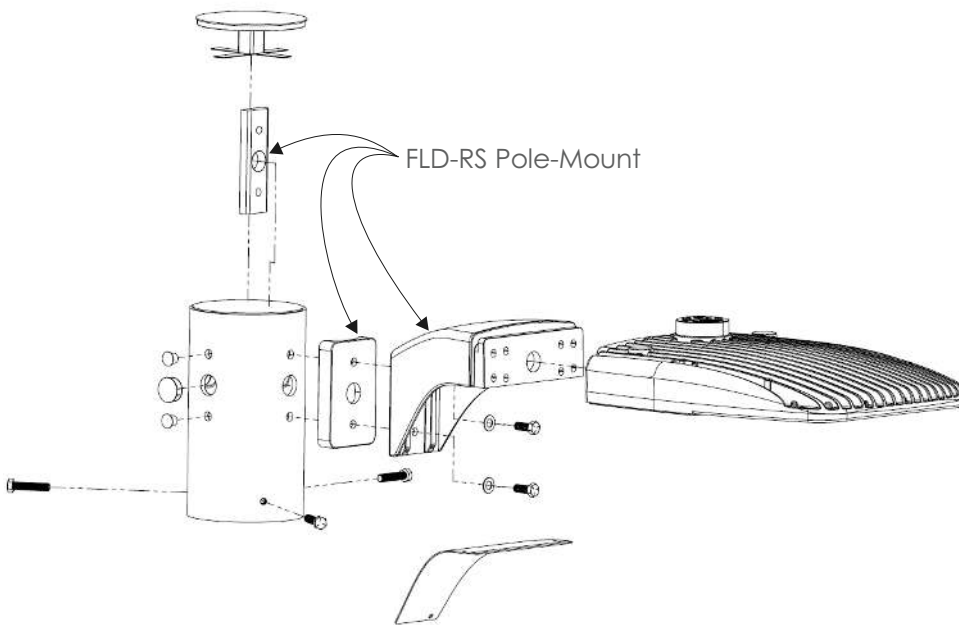
pole mounting



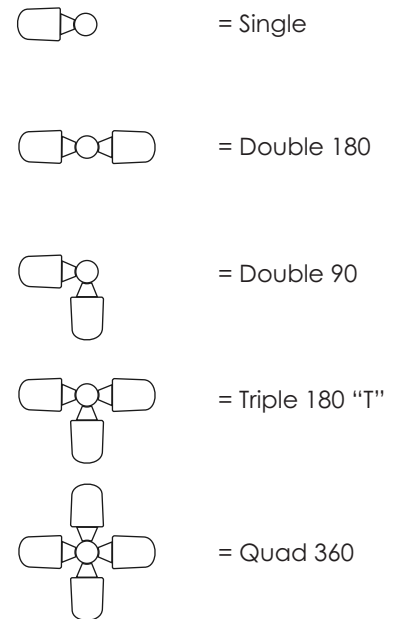
UNIVERSAL POLE-TOP ADAPTER FOR FLD-RS

Constructed from schedule 40 steel pipe, the UPTA provides versatility and ease of installation with a one-sleeve solution that comes ready to mount one, two, three, or four FLD-RS heads (with pole-mount, sold separately), no special ordering required for multiple configurations. The included plastic pressure cap seals the top, and plastic caps plug unused holes. Save time and installation costs on your next pole mounted project. Available in 3, 4, & 5 inch. All hardware included.

INSTALLATION OVERVIEW*



CONFIGURATIONS POSSIBLE, ALL SIZES:



*UPTA requires the use of an FLD-RS Pole-Mount, sold separately

TECHNICAL SPECS

EPA	Single: .75sq. ft. Double: 1.05sq. ft.	Triple: 1.35sq. ft. Quad: 1.65sq. ft.	LBS	3 inch: 8 lbs 5 inch: 11 lbs	4 inch: 9.5 lbs
-----	---	--	-----	---------------------------------	-----------------

SAMPLE ORDER: UPTA-3-BR

UPTA SIZE	COLOR
3	BR = Bronze
4	BL = Black
5	WH = White SL = Silver

