



Available in 25W, 40W, 60W, & 80W

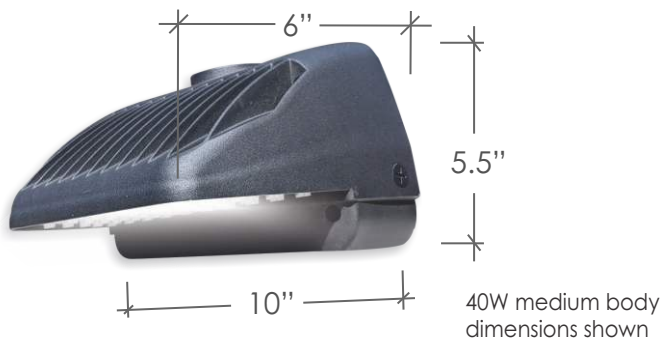
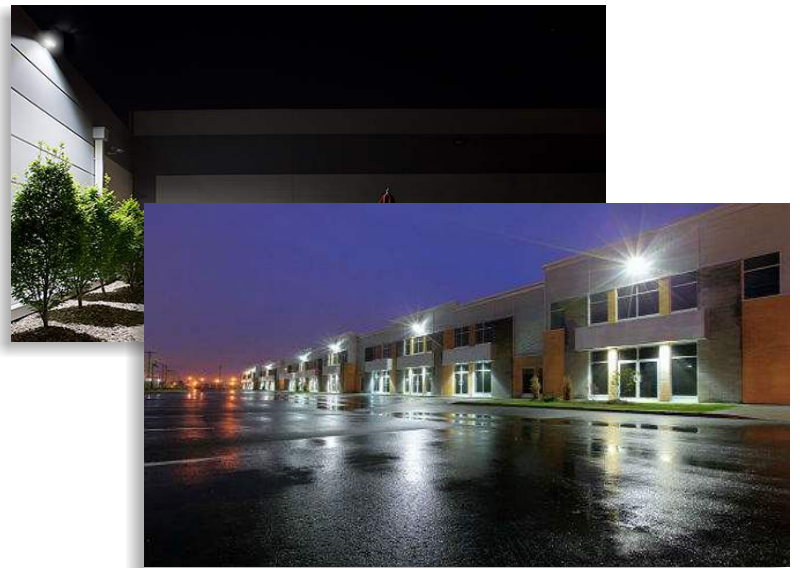
The sleek architectural styling of the AWP Series Wallpack is designed to complement the SimplyLEDs [FLD-RS Area Light](#).

Designed and manufactured of powder-coated, die-cast aluminum, the AWP Series IP66-rated luminaire will provide superior performance for decades in many harsh outdoor environments.

Available in four wattages and three body sizes for 4000K & 5000K.

Model Number	Input	Delivered Im/W	Delivered Lumens	Premium Listing
AWP-025W-LV-40K	24	108	2,640	✓
AWP-025W-LV-50K	24	112	2,640	✓
AWP-040W-LV-40K	42	110	4,300	✓
AWP-040W-LV-50K	42	114	4,300	✓
AWP-060W-LV-40K	60	113	6,600	✓
AWP-060W-LV-50K	60	115	6,600	✓
AWP-080W-LV-40K	80	120	9,200	✓
AWP-080W-LV-50K	80	119	9,200	✓

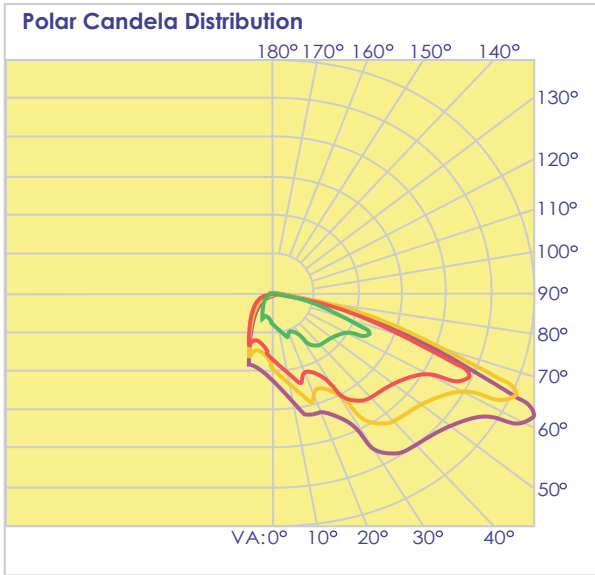
AWP wattages are DLC qualified in 120-277V, 4000K & 5000K only. See designlights.org for details.



LBS	25W: 3.6 lbs	MNT	MOUNTING: Std.
	40W: 6.75 lbs		3 & 4" j-box*
	60W - 80W: 13.5 lbs		

* knockouts also accommodate surface mount conduit

DIMS	25W	8.25"W x 5.25"D x 4.75"H
	40W	10"W x 6"D x 5.5"H
	60W - 80W	12.5"W x 10"D x 7.5"H



- 25W**
- 40W**
- 60W**
- 80W**

Available Color Temps (K): 4000, & 5000

CRI: 72+

Lifetime (L70): >50,000

LED Source: CREE

Power Supply: Inventronics 0-10V, 120-277VAC, 50/60Hz dimming driver

Electrical: 0.6A max, >90%PF, <11% THD at 277V

Compliance: UL 1598, 1598B, 1598C
Suitable for wet locations

Warranty: 5 years

MODEL	WATTAGE	VOLTAGE	CCT	DISPERSION	COLOR	OPTIONAL
AWP small body	25W	LV = 120-277	40K = 4000 50K = 5000	T3 = Type 3	BR=Bronze	PC = Photocell* <small>*Dusk to Dawn photocell available</small>
AWP medium body	40W					
AWP large body	60W 80W					
Sample Order: AWP-040W-LV-40K-T3-BR-PC						



DLC Premium Listings in 4000K & 5000K only, check the DLC website at www.designlights.org for details.

simplyleds.com

AVAILABLE WITH SensaBLE 2.0

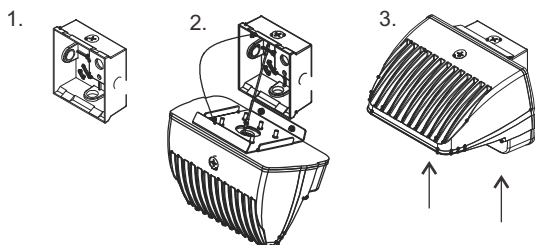
Mesh Network Lighting Controls

Control, Customize, & Crush your clean energy goals, install **SensaBLE 2.0™**

Quick Install Guide

J-box Mounting

1. Remove j-box from wallpack, mount to surface
2. Hang the wallpack on the j-box w/hook and connect power
3. Mount wallpack on j-box and secure with screws from beneath



Surface Mounting

1. Remove plate (a) and mount to surface
2. Hang the wallpack on the plate and connect power
3. Mount wallpack on plate and secure with screws from beneath

