

ALD-R Ultimate Retrofit Solution

SPEC GRADE CUSTOM & UNIVERSAL RETROFIT KIT

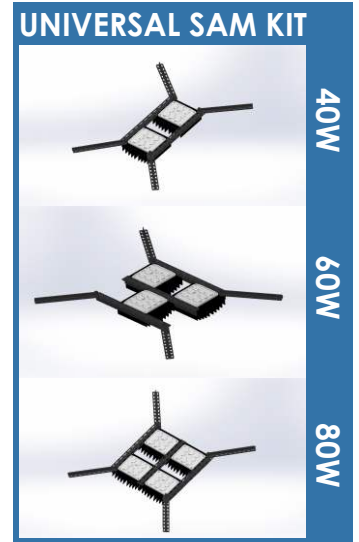


Our versatile 2nd gen LED retrofit kit boasts spec grade performance in four dispersion choices: Type 3, 4, 5, & Flood. Available in custom or no-measure universal kits.

CUSTOM: Low-profile modules mount to aluminum plates that are custom cut to fit your fixture. The aluminum plate is designed to replace the existing glass. 10 year warranty.

UNIVERSAL: Modules are mounted to universal rails with swing arm mounts (**SAM**) for quick, scalable installation in multiple fixture styles, no measuring needed! Available configurations on following page. 5 year warranty.

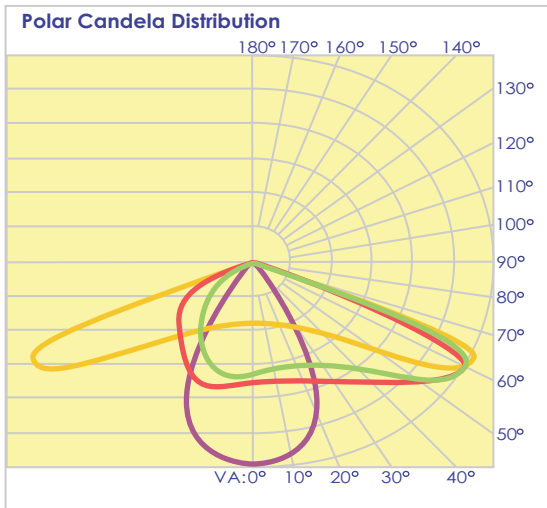
ALD-R retrofits come standard with driver-attuned 40kV surge suppression. Optional OCCSensaBLE™ occupancy sensor and energy saver available with full mobile app control capability for Android and iOS.



see available configurations on following page

Available in 30W thru 300W*

*Custom kits only.



T3

Color Temps (K): 3000, 4000, 5000

T4

CRI: 72+

T5

Lifetime (L70): >150,000

TF

LED Source: Osram 5050

Power Supply: [Inventronics](#) 0-10V, 120-277, 277-480VAC, 50/60Hz, dimming driver

Compliance: ETL, UL 1598, 1598B, 1598C, 8750. Suitable for wet locations.

NETWORK CONTROLS

AVAILABLE WITH **SensaBLE 2.0** Mesh Network Lighting Controls



Control, Customize, & Crush your clean energy goals, install **SensaBLE 2.0™** the highly capable Bluetooth™ enabled sensor with:

- Zone Creation & Control
- Custom Profile Creation
- Custom Energy Dashboard
- Service Alerts
- Photocontrol
- Multi-Part Night Lighting Creation
- Daylight Harvesting
- High & Low Output Settings
- OCC controls

right from your phone* or unlimited access and control from your desktop. With the power of autonomy and Measurement & Verification built right in.



*mobile app functionality limited to local control and does not offer all features available for desktop single/multi-site cloud control version.



| Prod | Watts | # of Modules† | Voltage | Temp | Distribution | Optional | SAM Configuration |
|-------|-------|---------------|--------------|-------------|-------------------------|----------------------------|-------------------|
| ALD-R | 030W | 1 | LV = 120-277 | 30K = 3000K | T3 = Type 3 | OCC = Occupancy Sensor | 40L = |
| | 040W | 2 | HV = 277-480 | 40K = 4000 | T4 = Type 4 | PC = Photocell | 60ST = |
| | 060W | 3 | | 50K = 5000 | T5 = Type 5 | RCOS = Rear Cut-off Shield | 60L = |
| | 080W | 4 | | | NEMA = 7-pin Connector | 80ST = | |
| | 120W | 6 | | | SAM = Swing Arm Mount * | 80L = | |
| | 160W | 8 | | | | | |
| | 200W | 10 | | | | | |
| | 240W | 10 | | | | | |
| | 300W | 12 | | | | | |

†DLC listings do not include variations shown in "Optional" or "SAM configuration."

*SAM available only in 40W, 60W, and 80W models.

‡# of modules shown is informational only, do not include in product ordering nomenclature

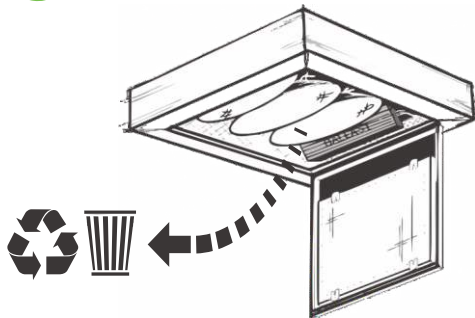
| DLC Premium Listings are available in: | Wattage | Dispersion | DLC Prod. ID | Efficacy | Lumens | 3000K PREMIUM | Wattage | Dispersion | DLC Prod. ID | Efficacy | Lumens | | | | |
|---|---------|--------------|--------------|------------------------------|------------------------------|---------------|------------------------------|------------|------------------------------|------------------------------|-------------------------------|------------------------------|------------------------------|--------|------------------------------|
| | | | | | | | | | | | | 3000K (shown) | 4000K | 5000K | |
| Not all configurations are DLC listed, please visit designlights.org for details. | 30 | C | LV: P1W1XQHC | 117 | 3448 | | 160 | 3 | LV: P86OVUS2 HV: PTUTJZ6 | 121 | 18,910 | | | | |
| | | | LV: PYYEGKJY | 116 | 3440 | | | | 4 | LV: PS4BP4ZK HV: PBTH2K2D | 121 | 18,865 | | | |
| | | | LV: P2QUGYUD | 121 | 3573 | | | | | 5 | LV: P5Y4QZQZ HV: PDFBBSU5Z | 126 | 19,592 | | |
| | | F | LV: PYQFV57 | 125 | 3675 | | | F | | | LV: P4F2P3DA HV: PED6VCZN | 129 | 20,155 | | |
| | | | 3 | LV: PT0DM3V | 128 | | | | 4,864 | | 3 | LV: P79V7PKZ HV: PO3NY8DP | 123 | 24,547 | |
| | | | | 4 | LV: PZDN3F1E | | | | 128 | 4,864 | | 4 | LV: PJ6SK220 HV: PZTIZIOW | 121 | 24,128 |
| | 5 | LV: PT7OH8PL | | | 137 | | 5,197 | 5 | LV: P95Q7GF3 HV: PVADQQHU | 128 | | | 25,570 | | |
| | | F | LV: PZUBCP56 | | 134 | | 5,157 | | F | LV: PF2SQ4LE HV: P9XDVW34 | 132 | | 26,206 | | |
| | | | 40 | 3 | LV: PIFW2OCW HV: PZBESBLV | | 129 | | | 7,624 | 200 | 3 | LV: PEZ3AN4G HV: POGZTHFM | 122 | 28,433 |
| | 4 | | | | LV: P3F76H7V HV: PQR82NH | | 129 | 7,606 | | 4 | | | LV: P4FA2917 HV: PHTCZH7B | 120 | 27,948 |
| | | 5 | | | LV: PVJSTF30 HV: PC0F9WBE | | 134 | 7,899 | 5 | | | | LV: P88RFGXDQ | 130 | 30,355 |
| | | | | F | LV: PD7WQZKL HV: PYEY3VX7 | | 138 | 8,126 | | | | F | LV: P6C7R3QK HV: PLQNYORK | 117 | 34,733 |
| | 60 | | | | 3 | | LV: PDDY0UXY HV: PUQ15VLJ | 128 | | 10,077 | | | 240 | 3 | LV: PV037MM5 HV: PQ4MP28Z |
| | | 4 | | | | | LV: PQR804NG HV: P13CPMM2 | 128 | 10,053 | 4 | | | | | LV: P8YVXZUV HV: PLL3GYS1 |
| | | | 5 | LV: POMC7AFZ HV: PM6N3ESI | | | 133 | 10,440 | 5 | | LV: PYZR4BWW HV: PJDS16NE | 125 | | | 37,080 |
| | | | | F | LV: P2RF1DN5 HV: PP1LSV4E | | 138 | 10,740 | | | F | | | | |
| | | 80 | | | 3 | | LV: PGGWSAG HV: P96CAGCY | 129 | | 15,214 | | 300 | | 3 | |
| | | | 4 | | | | LV: PVCZPMSN HV: PNJ3T9TE | 128 | 15,178 | 4 | | | | | |
| | 5 | | | LV: PI6XACL1 HV: PJ6WVVUI | | | 134 | 15,763 | 5 | | | | | | |
| | | | | F | LV: PIAL5HTR HV: PWANZTRC | | 138 | 16,216 | | | F | | | | |

*Operating temperature: -30° to 122°F

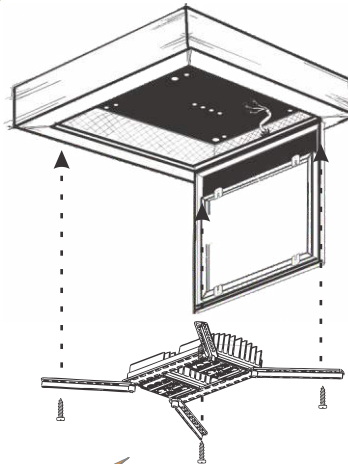
NO-Measure Universal SAM Kit Makes Retrofit Simple



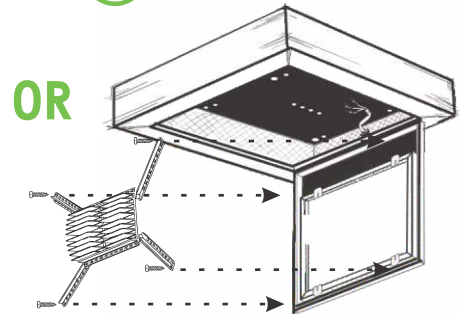
Remove existing contents & discard



Install ALD-R SAM Kit to housing flange



Install ALD-R SAM Kit to door*



*Visit www.simplyleds.com for complete installation instructions.

