

# ALD-R Ultimate Retrofit Solution

## SPEC GRADE CUSTOM & UNIVERSAL RETROFIT KIT

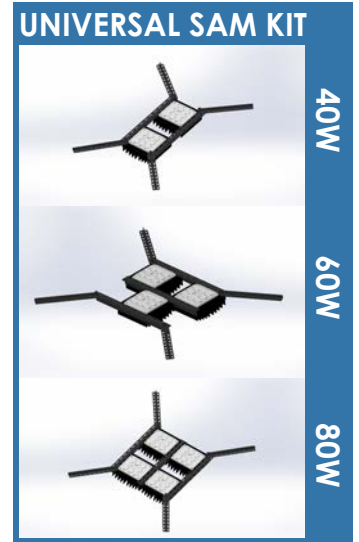
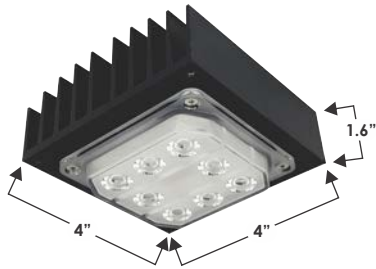


Our versatile 2nd gen LED retrofit kit boasts spec grade performance in four dispersion choices: Type 3, 4, 5, & Flood. Available in custom or no-measure universal kits.

**CUSTOM:** Low-profile modules mount to aluminum plates that are custom cut to fit your fixture. The aluminum plate is designed to replace the existing glass. 10 year warranty.

**UNIVERSAL:** Modules are mounted to universal rails with swing arm mounts (**SAM**) for quick, scalable installation in multiple fixture styles, no measuring needed! Available configurations on following page. 5 year warranty.

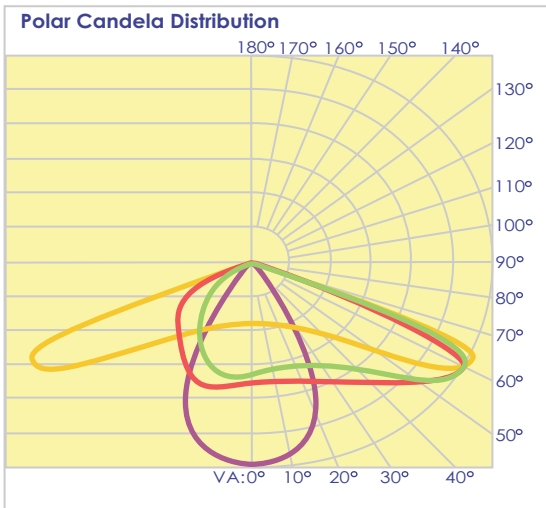
ALD-R retrofits come standard with driver-attuned 40kV surge suppression. Optional OCCSensaBLE™ occupancy sensor and energy saver available with full mobile app control capability for Android and iOS.



see available configurations on following page

## Available in 30W thru 300W\*

\*Custom kits only.



- T3
- T4
- T5
- TF

**Color Temps (K):** 3000, 4000, 5000

**CRI:** 72+

**Lifetime (L70):** >150,000

**LED Source:** Osram 5050

**Power Supply:** [Inventronics](#) 0-10V, 120-277, 277-480VAC, 50/60Hz, dimming driver

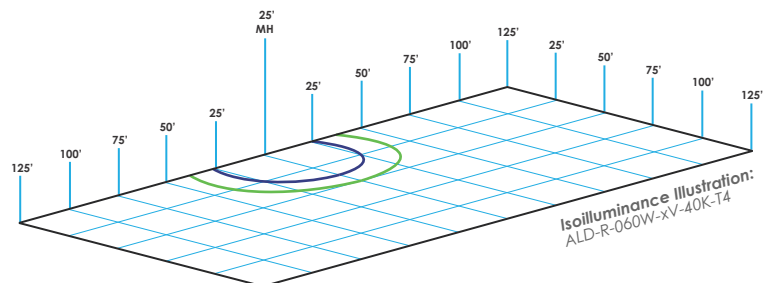
**Compliance:** ETL, UL 1598, 1598B, 1598C, 8750. Suitable for wet locations.

CONTROLS

Install OCCSensaBLE™ the highly capable Bluetooth™ enabled occ sensor with:

- Profile Management
- Part Night Lighting
- Photocontrol
- Daylight Harvesting
- Min/Max Output Levels

right from your phone via the OCCSensaBLE mobile app for Android and iOS.



Prod	Watts	# of Modules†	Voltage	Temp	Distribution	Optional	SAM Configuration
ALD-R	030W	1	LV = 120-277	30K = 3000K	T3 = Type 3	OCC = Occupancy Sensor	40L =
	040W	2	HV = 277-480	40K = 4000	T4 = Type 4	PC = Photocell	60ST =
	060W	3		50K = 5000	T5 = Type 5	RCOS = Rear Cut-off Shield	60L =
	080W	4			TF = Flood	NEMA = 7-pin Connector	80ST =
	120W	6				SAM = Swing Arm Mount *	80L =
	160W	8					
	200W	10					
	240W	10					
	300W	12					

† DLC listings do not include variations shown in "Optional" or "SAM configuration."

\*SAM available only in 40W, 60W, and 80W models.

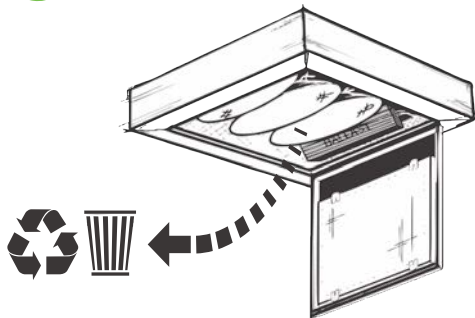
‡ # of modules shown is informational only, do not include in product ordering nomenclature

DLC Premium Listings are available in:	Wattage	Dispersion	DLC Prod. ID	Efficacy	Lumens	3000K PREMIUM	Wattage	Dispersion	DLC Prod. ID	Efficacy	Lumens
3000K (shown) 4000K 5000K  Not all configurations are DLC listed, please visit <a href="http://designlights.org">designlights.org</a> for details.	30	F	3 LV: P1W1XQHC	117	3448		160	F	3 LV: P86OVUS2 HV: PTUTJZ26	121	18,910
			4 LV: PYYEGKJY	116	3440				4 LV: PS4BP4ZK HV: PBTH2K2D	121	18,865
			5 LV: P2QUGYUD	121	3573				5 LV: P5Y4QQZ HV: PDFBBSU5Z	126	19,592
			F LV: PYQFIVS7	125	3675				F LV: P4F2P3DA HV: PED6VCZN	129	20,155
	40	F	3 LV: PT0DM3V	128	4,864		3 LV: P79V7PKZ HV: PO3NY8DP	123	24,547		
			4 LV: PZDN3F1E	128	4,864		4 LV: PJ6SK220 HV: PZTIZIOW	121	24,128		
			5 LV: PT7OH8PL	137	5,197		5 LV: P95Q7GF3 HV: PVADQQHU	128	25,570		
	60	F	3 LV: PIFW2OCW HV: PZBESBLV LV: P3F76H7V HV: PQR82NH LV: PVJSTF3O	129	7,624		F LV: PF2SQ4LE HV: P9XDVW34	132	26,206		
			4 LV: PZDN3F1E	128	4,864		3 LV: PEZ3AN4G HV: POGZTHFM	122	28,433		
			5 LV: PT7OH8PL	137	5,197		4 LV: P4FA2917 HV: PHTCZH7B	120	27,948		
			F LV: PZUBCP56	134	5,157		5 LV: PLAHTOQV HV: PG7KFSEL	127	29,619		
	80	F	3 LV: PDDY0UXY HV: PUQ15VLJ LV: PQR804NG HV: P13CPMM2 LV: POMC7AFZ HV: PM6N3ESI	128	10,077		F LV: PU1SHNCL HV: P8RFGXDQ	130	30,355		
			4 LV: PQR804NG HV: P13CPMM2 LV: POMC7AFZ HV: PM6N3ESI	128	10,053		3 LV: P6C7R3QK HV: PLQNYORK	117	34,733		
			5 LV: PDDY0UXY HV: PUQ15VLJ LV: PQR804NG HV: P13CPMM2 LV: POMC7AFZ HV: PM6N3ESI	133	10,440		4 LV: PV037MM5 HV: PQ4MP28Z	115	34,140		
			F LV: P2RF1DN5 HV: PP1LSV4E	138	10,740		5 LV: P8YVXZUV HV: PLL3GYS1	122	36,181		
	120	F	3 LV: PGGWSAG HV: P96CAGCY	129	15,214		F LV: PYZR4BWW HV: PJDS16NE	125	37,080		
			4 LV: PVCZPMSN HV: PNJ3T9TE	128	15,178						
			5 LV: PI6XACL1 HV: PJ6WVVUI	134	15,763						
			F LV: PIAL5HTR HV: PWANZTRC	138	16,216						

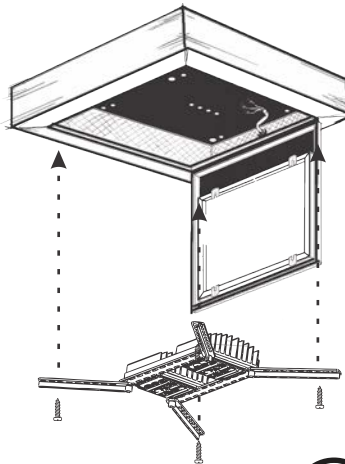
## NO-Measure Universal SAM Kit Makes Retrofit Simple



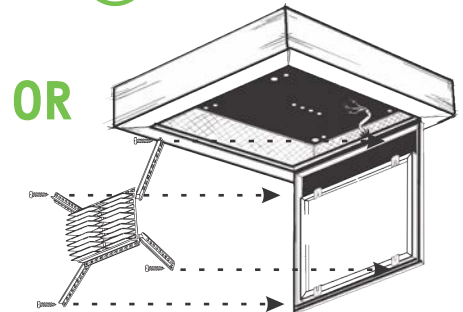
Remove existing contents & discard



Install ALD-R SAM Kit to housing flange



Install ALD-R SAM Kit to door\*



\*Visit [www.simplyleds.com](http://www.simplyleds.com) for complete installation instructions.

